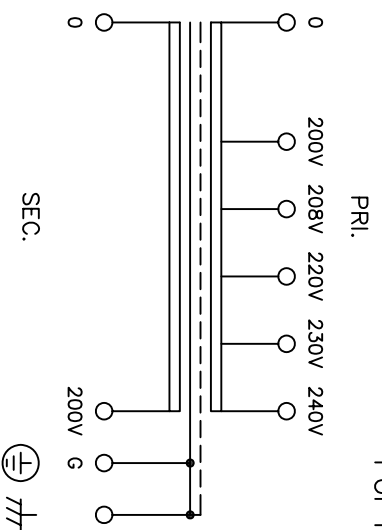



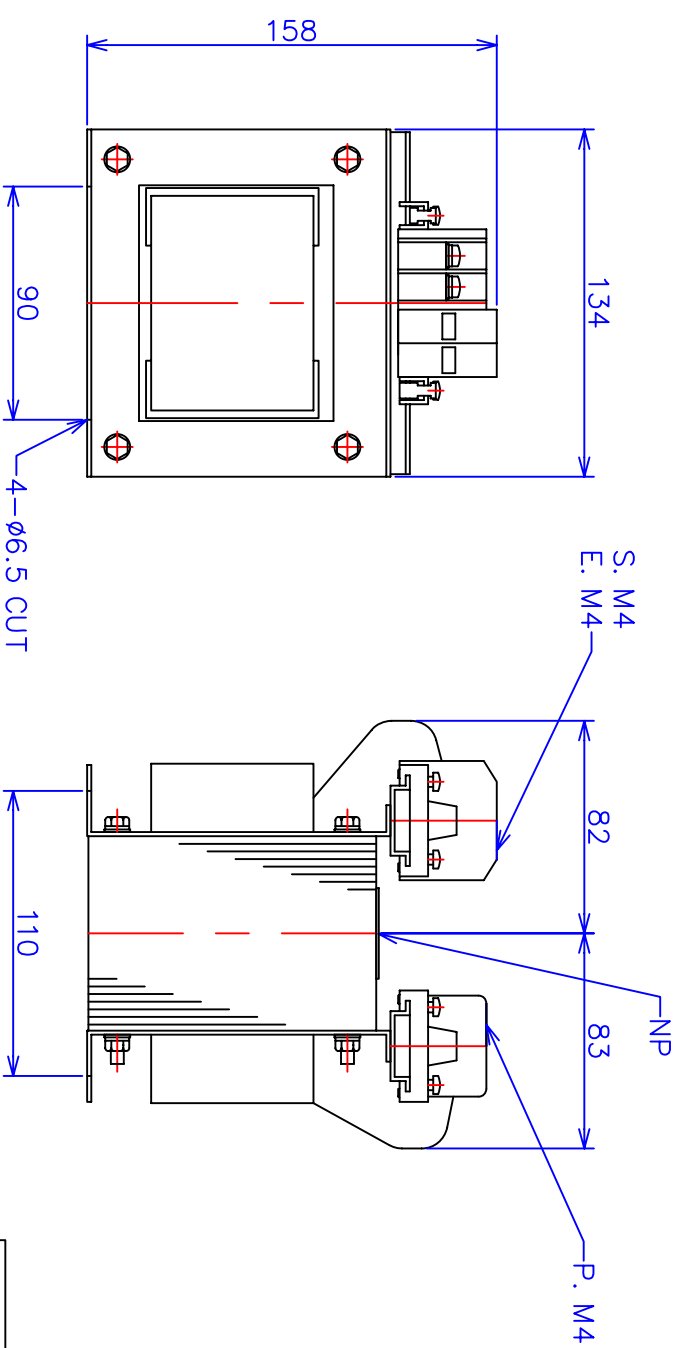


For indoor use only SPECIFICATION



STANDARD	EN61558-2-4	UL 506	
MODEL	FUL22-750		
PHASE	(Φ)	1	
FREQUENCY	(Hz)	50/60	
CAPACITY	(VA)	750	
PRI. VOLTAGE	(V)	200 208 220 230 240	
SEC. VOLTAGE	(V)	200	
SEC. CURRENT	(A)	3.75	
PERCENT IMPEDANCE	(%)	5.2/5.3	
DIELECTRIC STRENGTH (V/min)	P-S,G	4200	2500
	S-G	4200	2500
INSULATION RESISTANCE	more than 100 MΩ		
at DC 500V Megger			
RATING	CONTINUOUS		
CLASS	F (SYSTEM 14)		
MASS	(kg)	9.1	
MAX. AMBIENT TEMP.	(°C)	40	
MAX. TEMP. RISE	(K)	100	
PRI. CIRCUIT BREAKER	7.5A (EN60947-2)		
SEC. CIRCUIT BREAKER	4A (EN60947-2)		
PROTECTION DEGREE	IP00		
IEC MARK	IP00		
TUV & CE MARK	 		
UL MARK			
UL FILE No.	E252316		



1	Geographical plot of a rated nameplate	2008/03/13
MARK	DESCRIPTIONS	DATE
REVISIONS		
NAME	DATE	SCALE
DRAWN BY	2006/12/20	✓
K. Tamura		
CHECKED BY	2006/12/20	
K. Tamura		
FUKUDA ELECTRIC WORKS CO., LTD.		DRAWING No.
T-42768-750-M		1
TITLE TRANSFORMER		