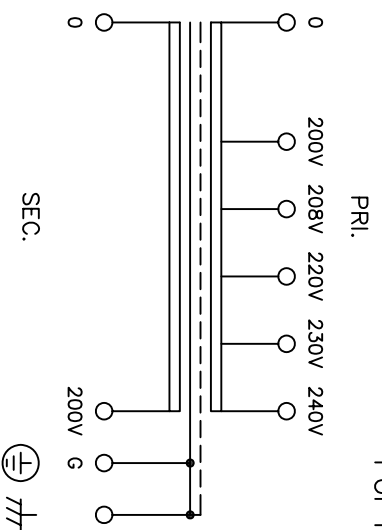
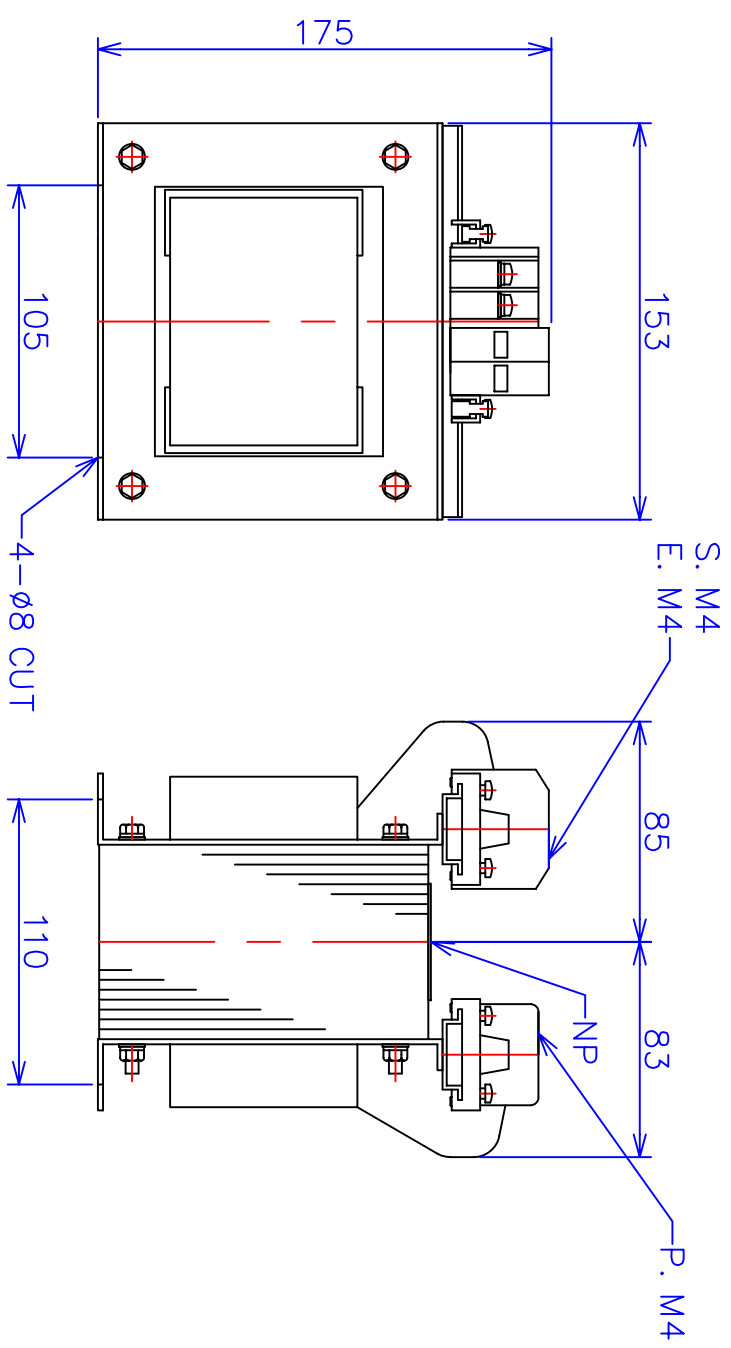


For indoor use only SPECIFICATION



STANDARD	EN61558-2-4	UL 506
MODEL	FUL22-1K	
PHASE	( $\Phi$ )	1
FREQUENCY	(Hz)	50/60
CAPACITY	(kVA)	1
PRI. VOLTAGE	(V)	200 208 220 230 240
SEC. VOLTAGE	(V)	200
SEC. CURRENT	(A)	5
PERCENT IMPEDANCE	(%)	4.8/4.9
DIELECTRIC STRENGTH (V/min)	P-S,G	4200
	S-G	4200
INSULATION RESISTANCE	more than 100 M $\Omega$	
	at DC 500V Megger	
RATING	CONTINUOUS	
CLASS	F (SYSTEM 14)	
MASS	(kg)	11.9
MAX. AMBIENT TEMP.	( $^{\circ}$ C)	40
MAX. TEMP. RISE	(K)	100
PRI. CIRCUIT BREAKER	10A (EN60947-2)	
SEC. CIRCUIT BREAKER	5A (EN60947-2)	
PROTECTION DEGREE	IP00	
IEC MARK		
TUV & CE MARK		
UL MARK		
UL FILE No.	E252316	



NAME	DATE	SCALE	
DRAWN BY	K. Tamura	2006/12/20	
CHECKED BY	K. Tamura	2006/12/20	
TITLE <b>TRANSFORMER</b>			
REVISIONS			
MARK	DESCRIPTIONS	DATE	
1	Geographical plot of a rated nameplate	2008/03/13	
DRAWING No. <b>T-42768-1K-M</b>			

FUKUDA ELECTRIC WORKS CO., LTD.