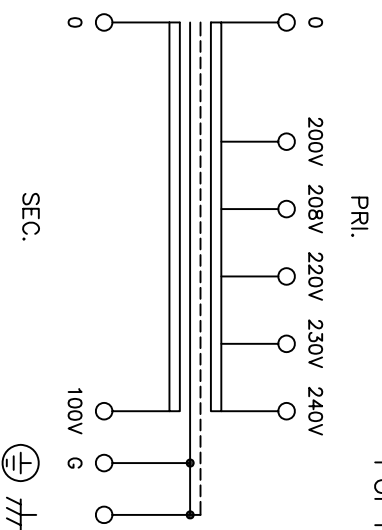
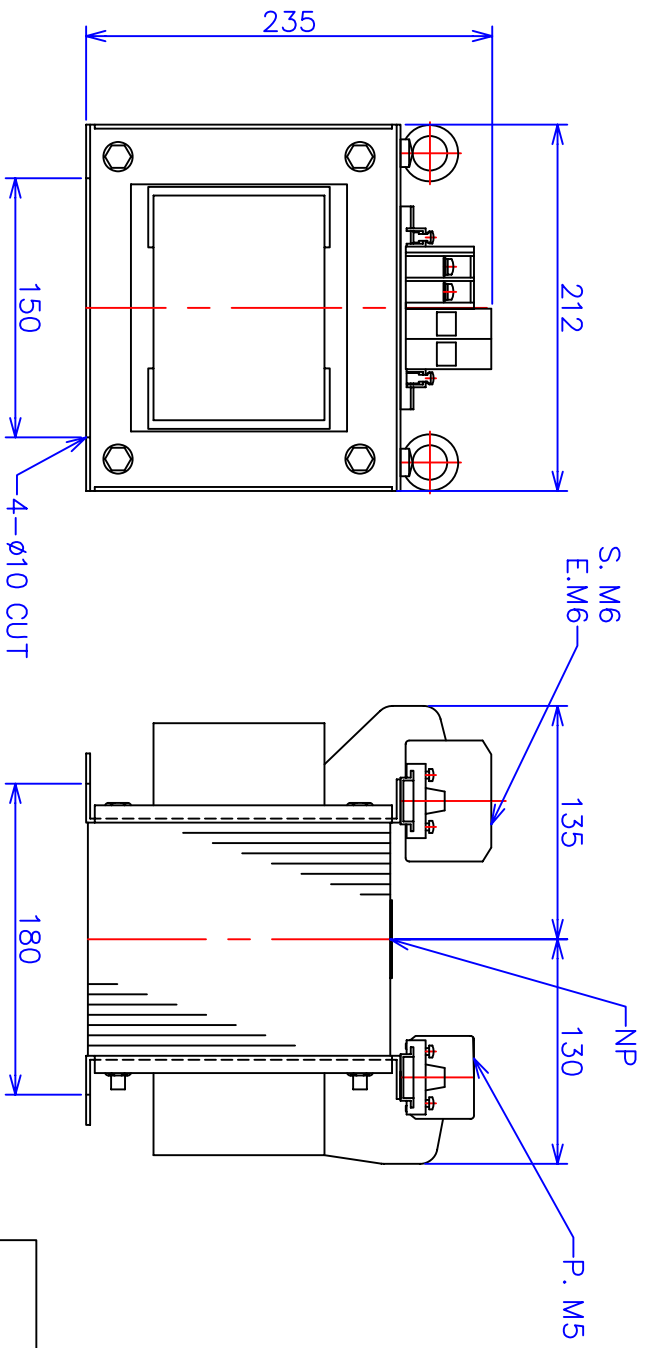


For indoor use only SPECIFICATION



STANDARD	EN61558-2-4	UL 506
MODEL	FUL21-4K	
PHASE	(Φ)	1
FREQUENCY	(Hz)	50/60
CAPACITY	(kVA)	4
PRI. VOLTAGE	(V)	200 208 220 230 240
SEC. VOLTAGE	(V)	100
SEC. CURRENT	(A)	40
PERCENT IMPEDANCE	(%)	3.1/3.2
DIELECTRIC STRENGTH (V/min)	P-S,G	4200
	S-G	2800
INSULATION RESISTANCE	more than 100 M Ω	
	at DC 500V Megger	
RATING	CONTINUOUS	
CLASS	H (SYSTEM 16)	
MASS	(kg)	39
MAX. AMBIENT TEMP.	($^{\circ}$ C)	40
MAX. TEMP. RISE	(K)	125
PRI. CIRCUIT BREAKER	40A (EN60947-2)	120
SEC. CIRCUIT BREAKER	40A (EN60947-2)	
PROTECTION DEGREE	IP00	
IEC MARK		
TUV & CE MARK		
UL MARK		
UL FILE No.	E252316	



1	Geographical plot of a rated nameplate	2008/03/13
MARK	DESCRIPTIONS	DATE
REVISIONS		
NAME	DATE	SCALE
DRAWN BY	K. Tamura	2006/12/20
CHECKED BY	K. Tamura	2006/12/20
FUKUDA ELECTRIC WORKS CO., LTD.		TITLE TRANSFORMER
DRAWING No.		T-42767-4K-M

