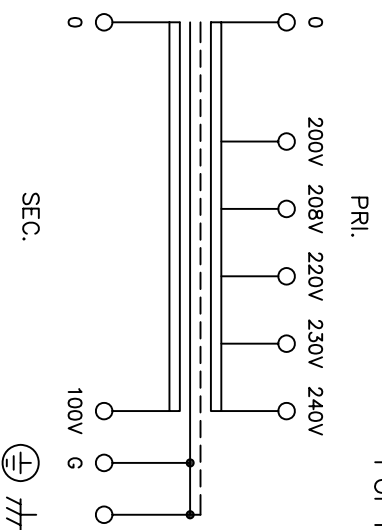



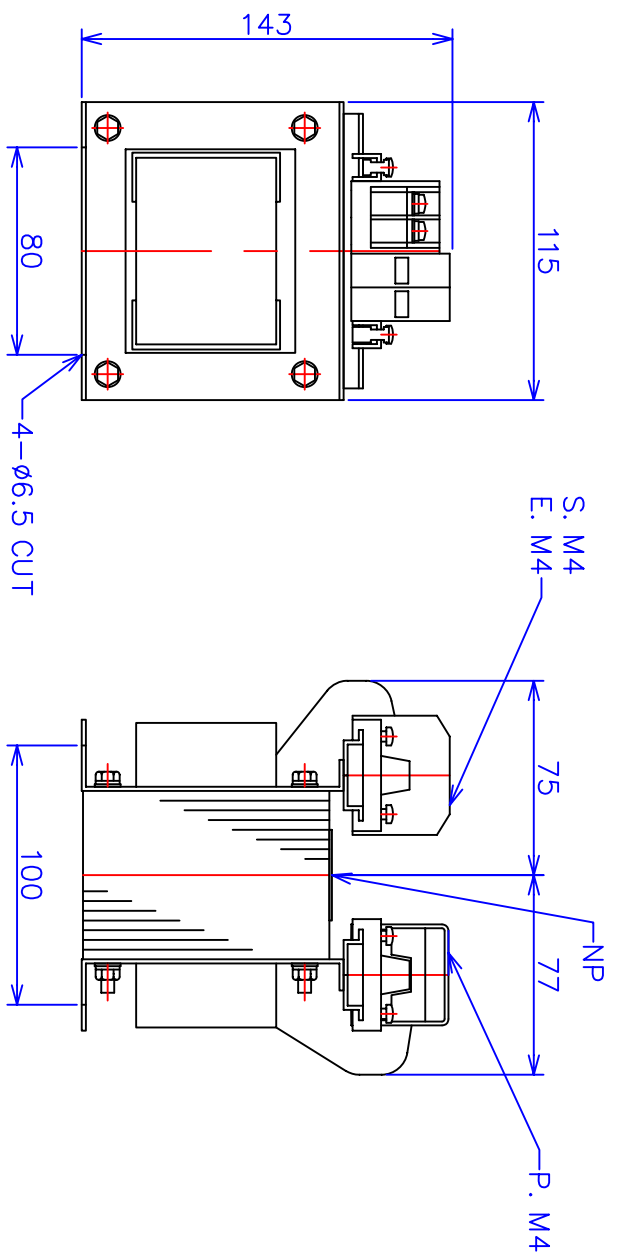


For indoor use only SPECIFICATION



STANDARD	EN61558-2-4	UL 506	
MODEL	FUL21-300		
PHASE	(Φ)	1	
FREQUENCY	(Hz)	50/60	
CAPACITY	(VA)	300	
PRI. VOLTAGE	(V)	200 208 220 230 240	
SEC. VOLTAGE	(V)	100	
SEC. CURRENT	(A)	3	
PERCENT IMPEDANCE	(%)	6.5/6.5	
DIELECTRIC STRENGTH (V/min)	P-S,G	4200	2500
	S-G	2800	2500
INSULATION RESISTANCE	more than 100 MΩ at DC 500V Megger		
RATING	CONTINUOUS		
CLASS	F (SYSTEM 14)		
MASS	(kg)	5.5	
MAX. AMBIENT TEMP.	(°C)	40	
MAX. TEMP. RISE	(K)	100	100
PRI. CIRCUIT BREAKER	3A (EN60947-2)		
SEC. CIRCUIT BREAKER	3A (EN60947-2)		
PROTECTION DEGREE	IP00		
IEC MARK	IP00		
TUV & CE MARK	 		
UL MARK			
UL FILE No.	E252316		



1	Geographical plot of a rated nameplate	2008/03/13
MARK	DESCRIPTIONS	DATE
REVISIONS		
NAME	DATE	SCALE
DRAWN BY K. Tamura	2006/12/20	✓
CHECKED BY K. Tamura	2006/12/20	⊕
FUKUDA ELECTRIC WORKS CO., LTD.		DRAWING No. T-42767-300-M 1
TITLE TRANSFORMER		