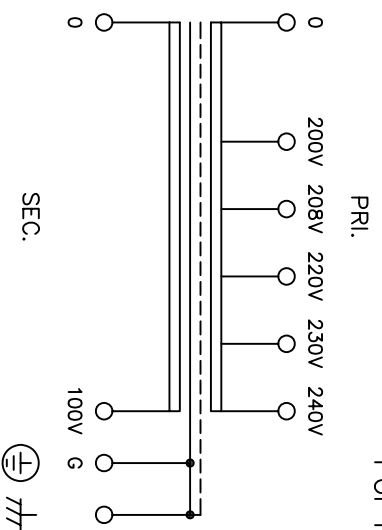
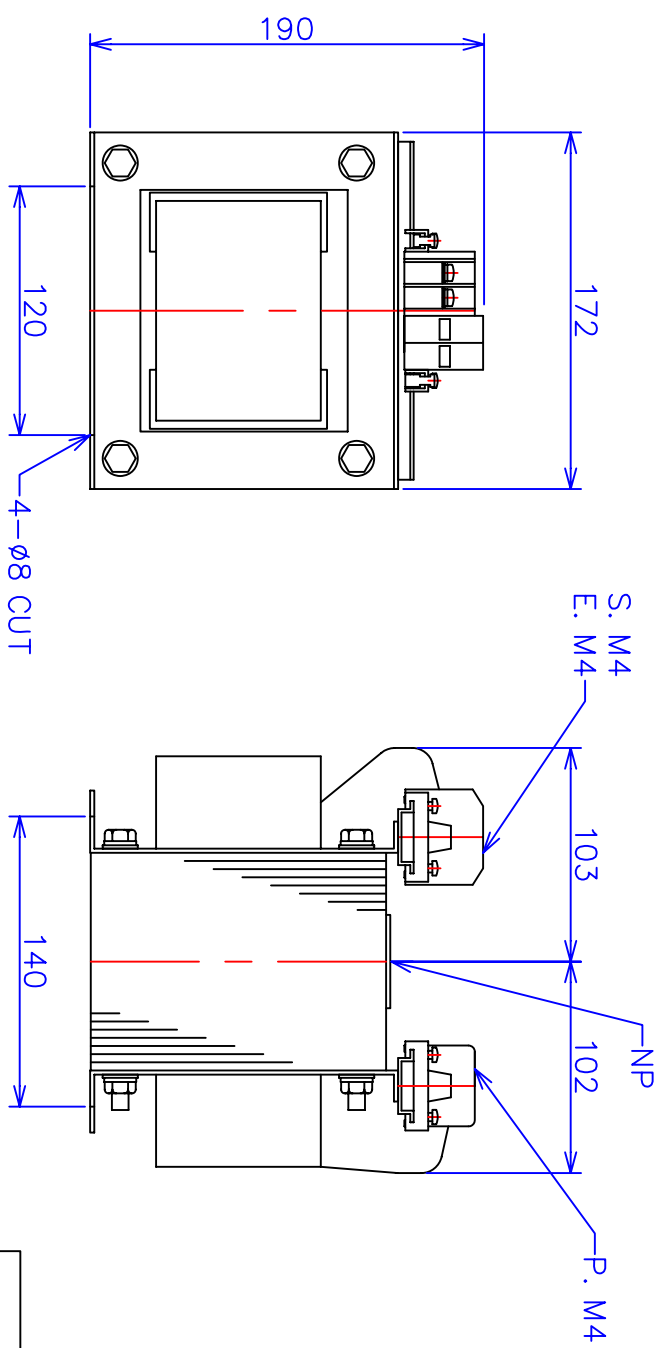


For indoor use only SPECIFICATION



STANDARD	EN61558-2-4	UL 506	
MODEL	FUL21-2K		
PHASE	( $\phi$ )	1	
FREQUENCY	(Hz)	50/60	
CAPACITY	(kVA)	2	
PRI. VOLTAGE	(V)	200 208 220 230 240	
SEC. VOLTAGE	(V)	100	
SEC. CURRENT	(A)	20	
PERCENT IMPEDANCE	(%)	3.9/4.0	
DIELECTRIC STRENGTH (V/min)	P-S,G	4200	2500
	S-G	2800	2500
INSULATION RESISTANCE	more than 100 M $\Omega$ at DC 500V Megger		
RATING	CONTINUOUS		
CLASS	H (SYSTEM 16)		
MASS	(kg)	20.5	
MAX. AMBIENT TEMP.	( $^{\circ}$ C)	40	
MAX. TEMP. RISE	(K)	125	120
PRI. CIRCUIT BREAKER	20A (EN60947-2)		
SEC. CIRCUIT BREAKER	20A (EN60947-2)		
PROTECTION DEGREE	IP00		
IEC MARK			
TUV & CE MARK			
UL MARK			
UL FILE No.	E252316		



1	Geographical plot of a rated nameplate	2008/03/13
MARK	DESCRIPTIONS	DATE
REVISIONS		
NAME	DATE	SCALE
DRAWN BY K. Tamura	2006/12/20	
CHECKED BY K. Tamura	2006/12/20	
FUKUDA ELECTRIC WORKS CO., LTD.		TITLE TRANSFORMER
DRAWING No.		T-42767-2K-M

